

Super Deluxe Series

Pizza Prep Table

Insulated Pan Cover
High Quality Stainless Steel Interior and Exterior

* New NSF Standard 7

Complies with and listed under ANSI/NSF-7

* Excellent Cooling System

The powerful forced-air refrigeration system maintains the pan and interior cabinet at constant temperature.

Evaporator fans and a newly designed louver ensures uniform distribution of cold air over the food pans to keep food temperature within New Standard 7.

* Half Size Tray Rack for 18"x26" Sheet Pans(Sold Separately)

* 9 Condiment Pans Included (Size : L 6.9"x D 12.8" x H 5.9")

* Stainless Steel Louver

Stainless Steel Louver ensures even distribution of cold air throughout interior of the unit. It is also built to withstand food acids and stains.

* 4 Adjustable Stainless Steel Wire shelves

* Self-Contained System

No plumbing required.
Simple installation with power cord.

* Recessed Handles

Top and side easy grip handle enhances our products aesthetically and functionally.

* 5" Casters Standard

* CEC. California Energy Commission Certificated

* MEA. City of New York Building Department Approved



TPR-67SD



TPR-93SD



Model	Swing Door	CU./FT.	#of Shelves	HP	AMPS	Weight	L D H
TPR-67SD	2	20	4	2/3	10.4	395	67 x 32.2 x 35.9
TPR-93SD	3	30.9	6	2/3	11.0	590	93.5 x 32.2 x 35.9

* Height does not include 6" for caster height.

CABINET INTERIOR/EXTERIOR SPECIFICATIONS

MODEL	TPR-67SD	TPR-93SD
Exterior Dimensions(LxDxH)	67"x32.3"x41.7"	93 ⁷ / ₁₆ "x32 ¹ / ₄ "x37"
Cubic Feet	20	30.9
Comp.	2/3 HP	2/3 HP
Shelves	4 ea	6 ea
Weight	395lbs	590lbs
Power	115V / 60Hz	115V / 60Hz
Amp	10.4 A	11A
Cord Length	10 Feet	10 Feet
Plug-In	NEMA 5-15P	NEMA 5-15P

*** Extra-deep 19 1/2" Full Length Removable Cutting Board Included**

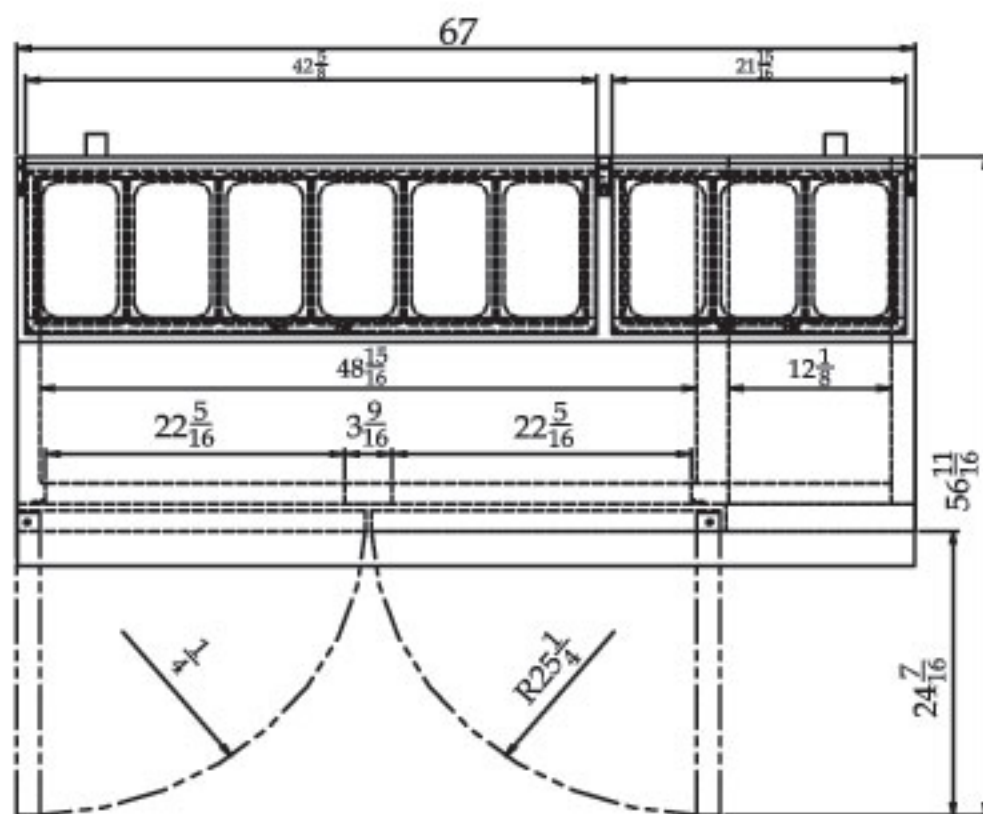
*** Foamed With Polyurethane, High -Density Cell Insulation (CFC free)**

*** Holds 33°F~41°F**

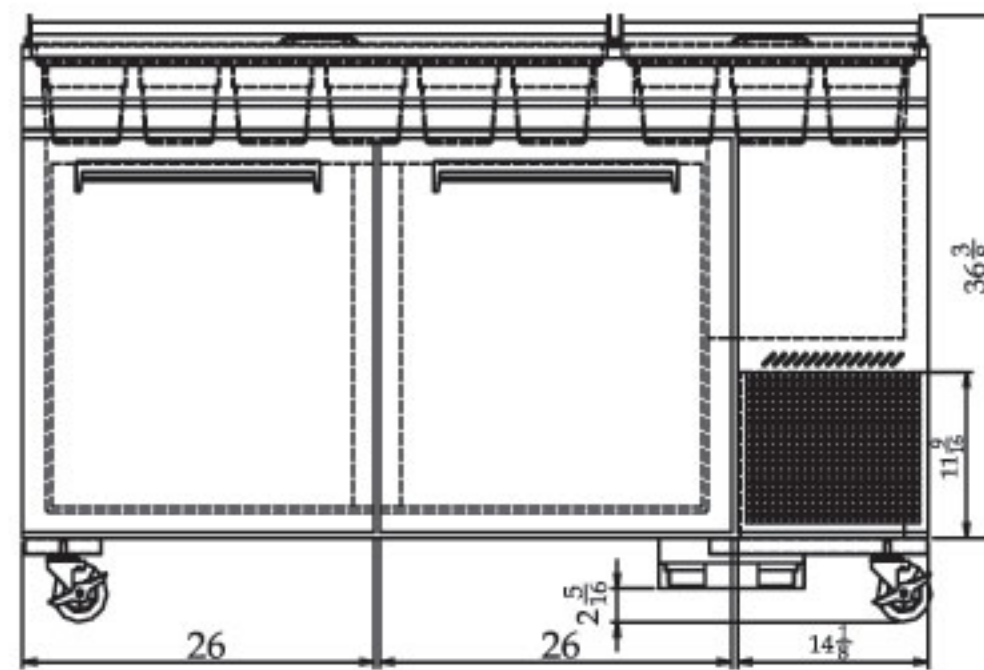
*** 18 Month Labor and Parts Warranty for Super Deluxe Series**

*Design and specifications can be changed without prior notice for product improvement.

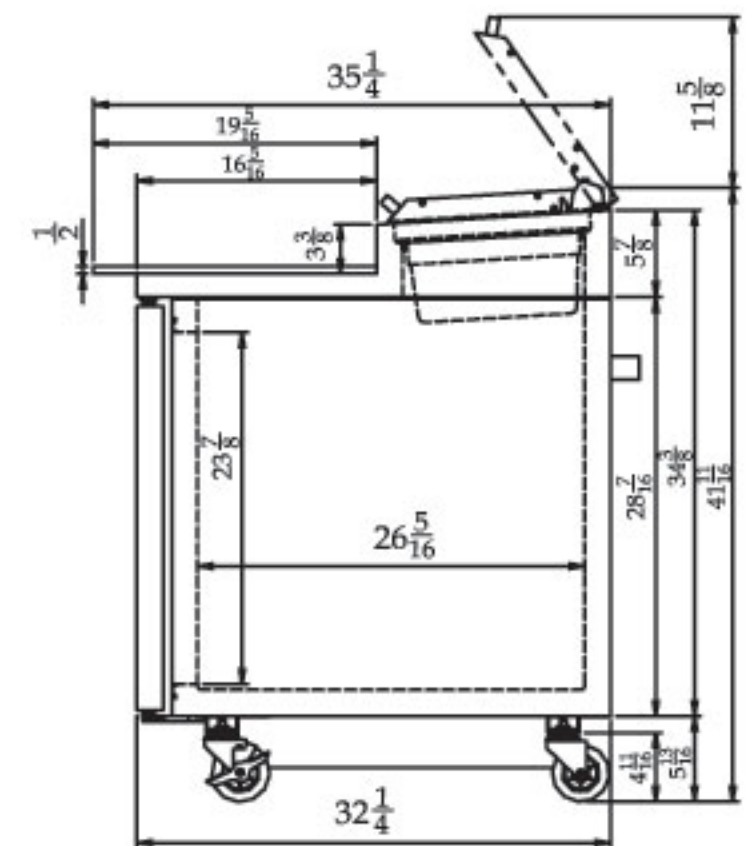
(unit : inch)



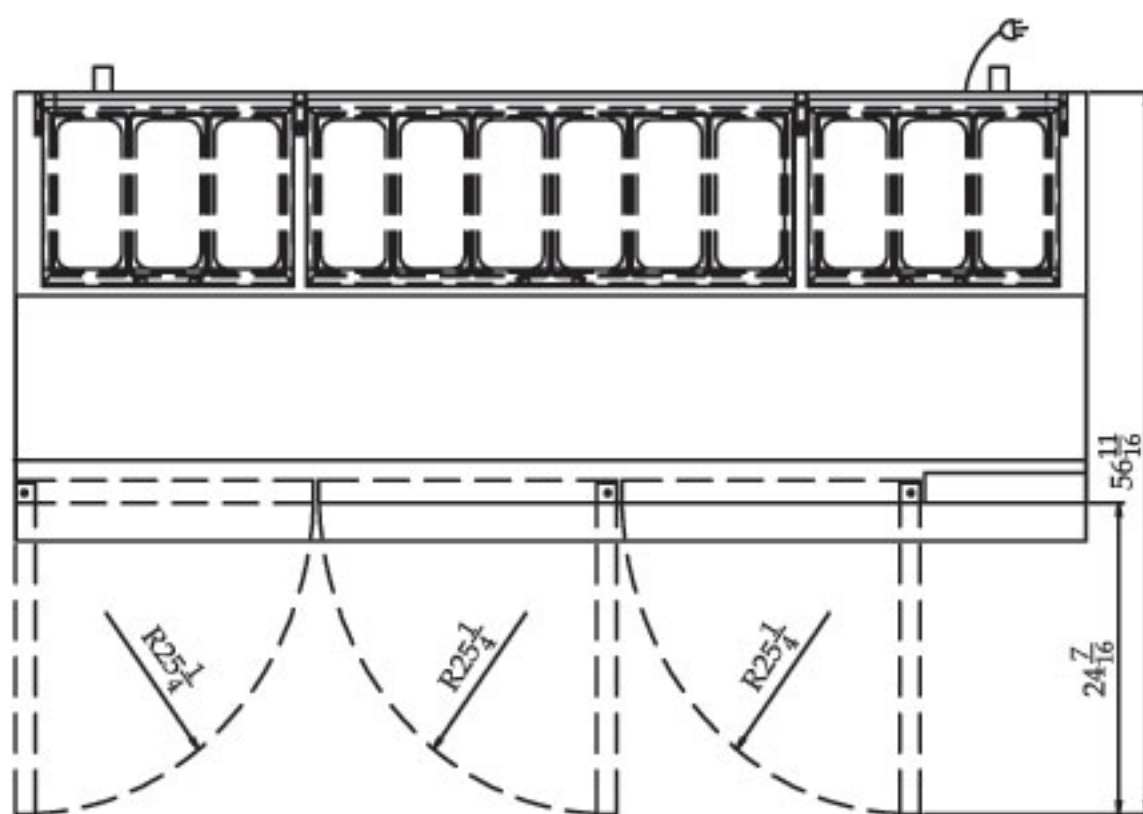
TPR-67SD PLAN VIEW



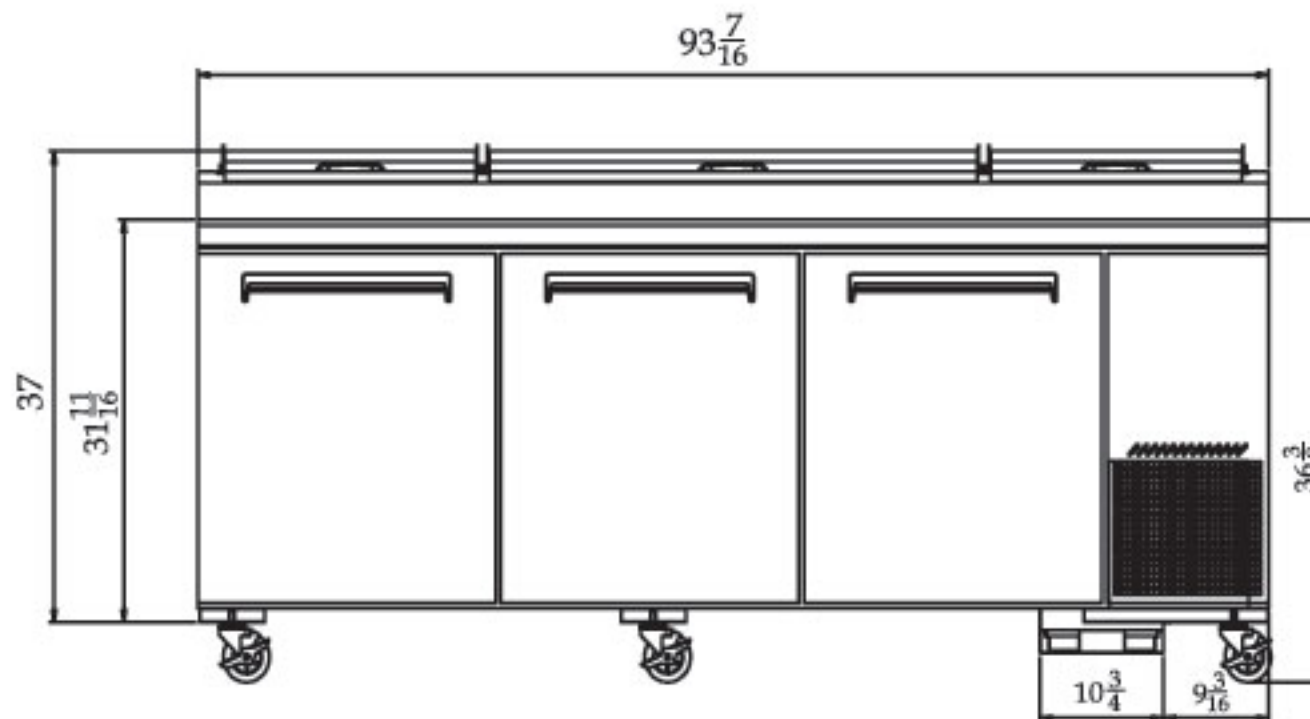
TPR-67SD FRONT VIEW



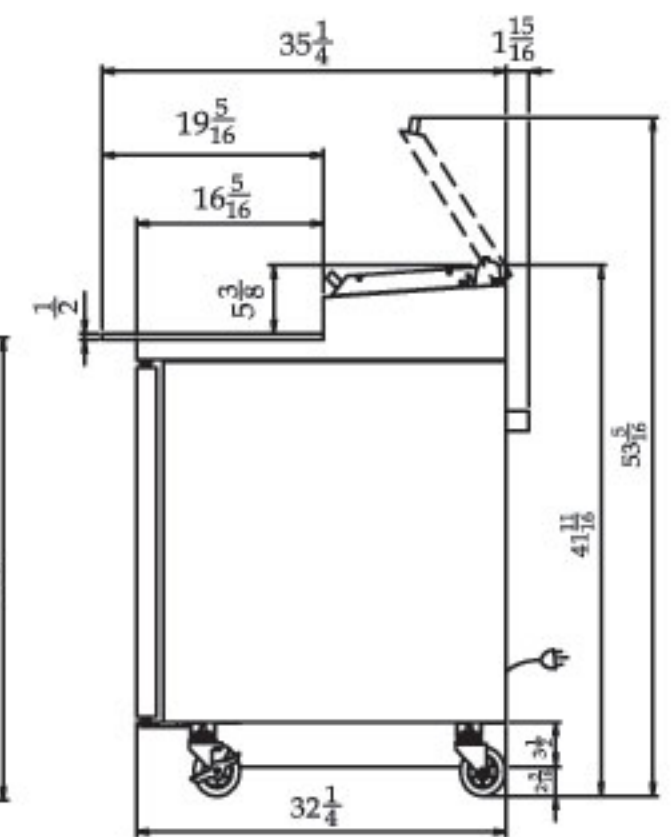
TPR-67SD SIDE VIEW



TPR-93SD PLAN VIEW



TPR-93SD FRONT VIEW



TPR-93SD SIDE VIEW